

SPEAKER MICROPHONE

MH-45 Series

Service Manual

©2011 VERTEX STANDARD CO., LTD. E13969001

VERTEX STANDARD CO., LTD.
4-8-8 Nakameguro, Meguro-Ku, Tokyo 153-8644, Japan

VERTEX STANDARD
US Headquarters
10900 Walker Street, Cypress, CA 90630, U.S.A.

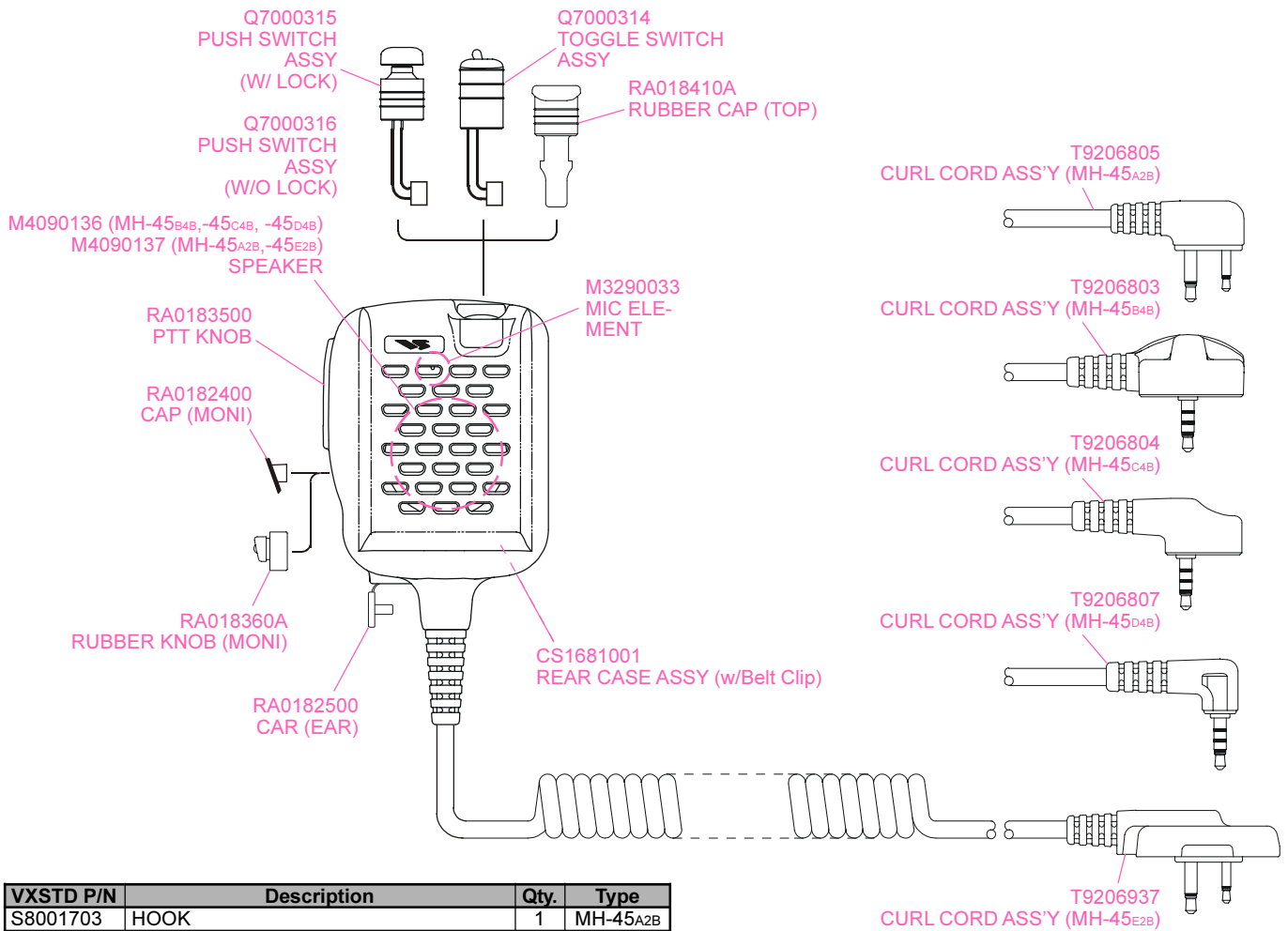
YAESU UK LTD.
Unit 12, Sun Valley Business Park, Winnall Close
Winchester, Hampshire, SO23 0LB, U.K.

VERTEX STANDARD HK LTD.
Unit 1306-1308, 13F., Millennium City 2, 378 Kwun Tong Road,
Kwun Tong, Kowloon, Hong Kong

VERTEX STANDARD (AUSTRALIA) PTY., LTD.
Tally Ho Business Park, 10 Wesley Court, East Burwood, VIC, 3151

The MH-45 is a Speaker Microphone designed especially for Vertex Standard transceivers*.

*Check with the latest Vertex Product Catalog for a list of the transceivers that can be used with each version.



VXSTD P/N	Description	Qty.	Type
S8001703	HOOK	1	MH-45A2B
U20213020	BINDING HEAD SCREW (M2.6X13 SUS)	2	MH-45B4B
U20213020	BINDING HEAD SCREW (M2.6X13 SUS)	1	MH-45C4B
RA0188800	CABLE HOLDER	1	MH-45D4B
U20208020	BINDING HEAD SCREW (M2.6X8 SUS)	2	MH-45E2B

Non-designated parts are available only as part of a designated assembly.

Specifications

Microphone Impedance: 2.2k-ohm at 1 kHz

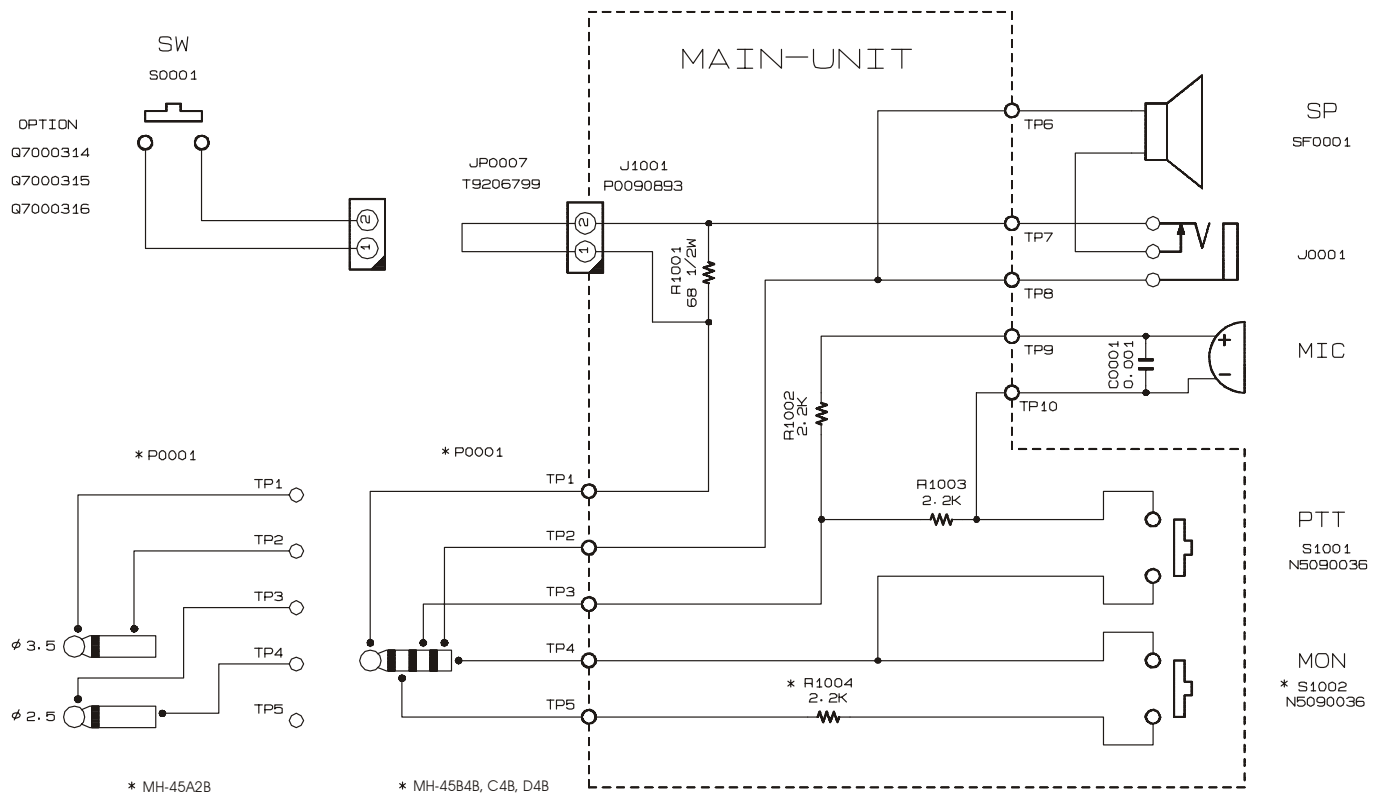
Speaker Impedance: 8-ohm (MH-45B4B, MH-45C4B, MH-45D4B)

16-ohm (MH-45A2B, MH-45E2B)

Speaker Input: max. 0.6W

Weight (approx.): 220 g

Circuit Diagram (MH-45A2B, MH-45B4B, MH-45C4B, & MH-45D4B)



	R1004	S1002	P0001
MH-45A2B	-	-	T9206805
MH-45B2B	2.2K	N5090036	T9206803
MH-45C2B	2.2K	N5090036	T9206804
MH-45D2B	-	-	T9206807

Circuit Diagram (MH-45E2B)

